

UW-1033-P

DESCRIPTION:

Amplifier UW-1033-P is used in the 1S91M1/M2 systems. It replaces tube amplifiers UW1033 and UW 1032.

It is used in the receive channel to amplify microwave signals in X band. It is protected by a solid-state limiter. It may operate with input pulse up to 10 W.

Environment:

Operational temperature:
Humidity
Vibration
Shocks
100m/s²

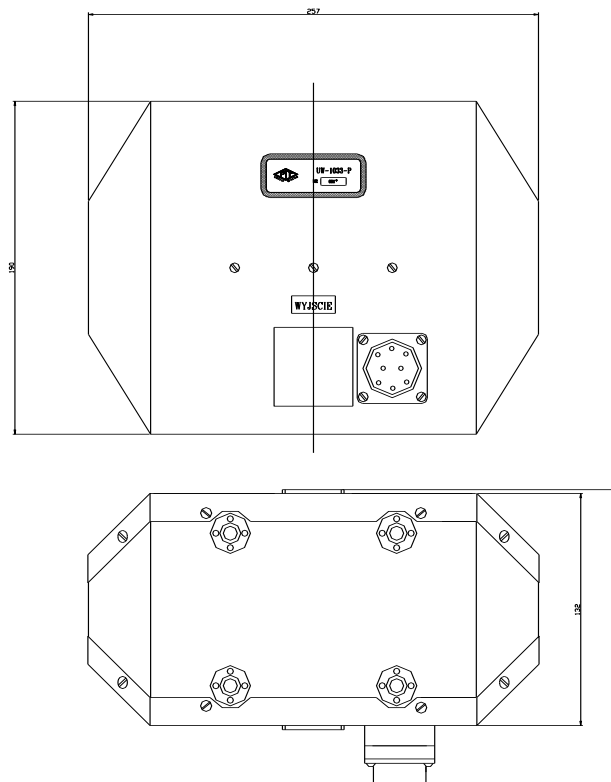
-40 °C / +60 °C
98% / +25 °C
20m/s² / 30 Hz

Basic electrical parameters:

Operational bandwidth: 7 ÷ 9 GHz
Gain: G ≥ 30 dB
Noise figure: NF ≤ 5 dB (max)
NF ≤ 3.5 dB (typical)
VSWR: ≤ 2.5
Power supply: +27 V

Additional information:

The amplifier UW-1033-P has waveguide input and output which allows direct replacing of tube amplifiers.



PIT - RADWAR S.A. **WROCLAW DIVISION**

50-425 Wrocław, ul. Krakowska 64, Poland; tel. (+48) 71-342-65-54; fax (+48) 71-342-58-59; e-mail: sales@dolam.pl
53-439 Wrocław, ul. Grabiszyńska 97 tel. (+48) 71-361-18-19 ; fax. (+48) 71-361-73-19; e-mail: office@pitow.wroc.pl