

## UW-1020-P

### DESCRIPTION:

Amplifier UW-1020-P is used in receive channel of the SNR-125M system. It replaces the tube amplifier UW 1020.

It serves for amplification of microwave signals in X band and is protected by a solid-state limiter with ferrite circulator and discharge tube switch. It can operate with input pulse power up to 1kW.

### Environment:

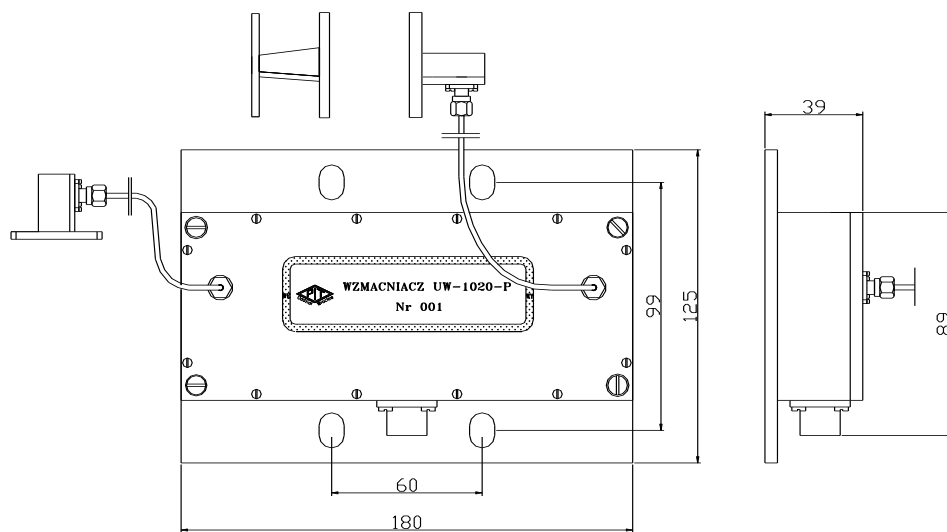
Operational temperature:	$-40\Delta$ I $+60\Delta$
Humidity	98%/+25 $\Delta$
Vibration	20m/s <sup>2</sup> /30 Hz
Shocks	100m/s <sup>2</sup>

### Basic electrical parameters:

Operational bandwidth:	9 ÷ 9.6 GHz
Gain:	G = 10 ÷ 30 dB
Noise figure:	NF ≤ 5 dB (max) NF ≤ 3.5dB (typical)
VSWR:	≤ 2.5

### Additional information:

The amplifier UW-1020-P has waveguide input and output which allows direct replacing of tube amplifiers. There is also an option available with coaxial connectors of SMA type.



### PIT - RADWAR S.A. WROCLAW DIVISION

50-425 Wrocław, ul. Krakowska 64, Poland; tel. (+48) 71-342-65-54; fax (+48) 71-342-58-59; e-mail: sales@dolam.pl  
53-439 Wrocław, ul. Grabiszyńska 97 tel. (+48) 71-361-18-19; fax. (+48) 71-361-73-19; e-mail: office@pitow.wroc.pl