

LO-6P

DESCRIPTION:

Amplifier LO-6P replaces tube amplifiers from series LO 60 used in communications radars JUSTYNA. It may operate with input CW power up to 2 W and with pulse power up to 200 W. Input and out connectors are of N type.

Environment:

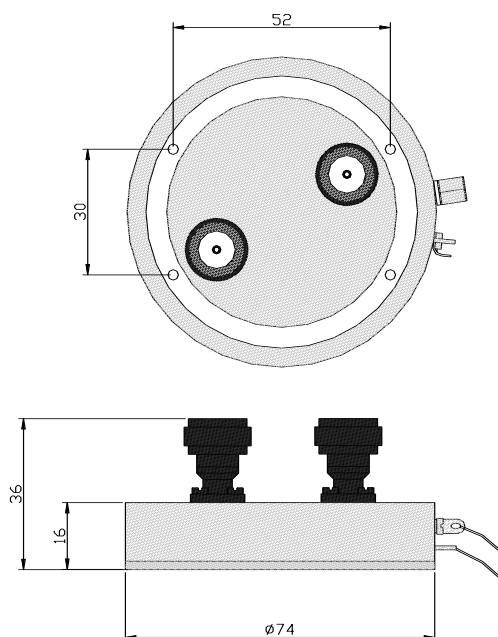
Operational temperature: -40 ℓ +55 ℓ
 Humidity 98%/+25 ℓ
 Vibration 20m/s²/30 Hz
 Shocks 100m/s²

Basic electrical parameters:

Operational bandwidth: L band
 Gain: G ≥30 dB
 Noise figure: NF ≤4 dB (max)
 NF ≤3 dB (typical)
 VSWR: ≤1.8
 Gain changes in bandwidth ΔG ≤1.5dB
 Power supply: +12 V/120mA

Additional information:

Amplifier's design allows to integrate it directly into radar without any mechanical adaptations.



PIT - RADWAR S.A.
WROCLAW DIVISION

50-425 Wrocław, ul. Krakowska 64, Poland; tel. (+48) 71-342-65-54; fax (+48) 71-342-58-59; e-mail: sales@dolam.pl
 53-439 Wrocław, ul.Grabiszyńska 97 tel. (+48) 71-361-18-19 ; fax. (+48) 71-361-73-19; e-mail: office@pitow.wroc.pl