

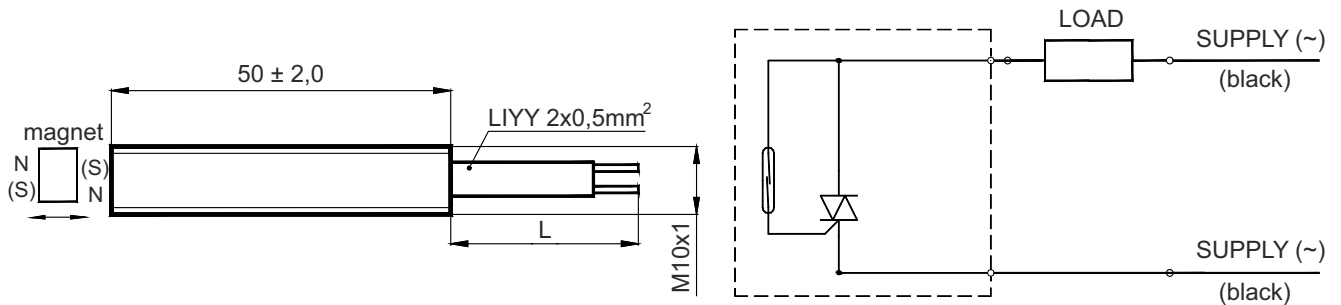


PIT-RADWAR S.A.
WROCLAW DIVISION
 50-425 Wrocław, ul. Krakowska 64, Poland
 tel. (+48) 71/342-65-54, fax (+48) 71/342-58-59
 e-mail: sales@dolam.pl
 www.dolam.pl

Triac switch 230V-100W

RoHS compliant product.

This switch is designed to operate with neodymium ring magnet with dimensions 10x7/3,5x3 (in mm). Nevertheless, other magnets with similar inductance value can be used.



L – Length of wires depends on customer's requirement

all dimensions in mm

DATA SCAN	Unit	
Contact form		Normally open
Function		omnipolar switch
Operating voltage	typ	V_{AC} 230V (50Hz÷60Hz)
Max off-state current consumption		μA 100
Output saturation voltage	max	V 2
Continuous load current	max	A 0,6
Peak load current	max	A 8
Operate point $L_{operate}$	typ	mm 6
Release point $L_{release}$	typ	mm 15
Hysteresis $L_{release} - L_{operate}$	typ	mm 9
Environment category acc. to IEC 68-2-1÷3		40/85/21
Housing		Plastic case

Typical applications:

Automatic control systems, motion control, alarm systems, electrical household appliances. Switch is enclosed in the hermetic case – it can be used in dirty or humid environments. It can be used with inductive load also.